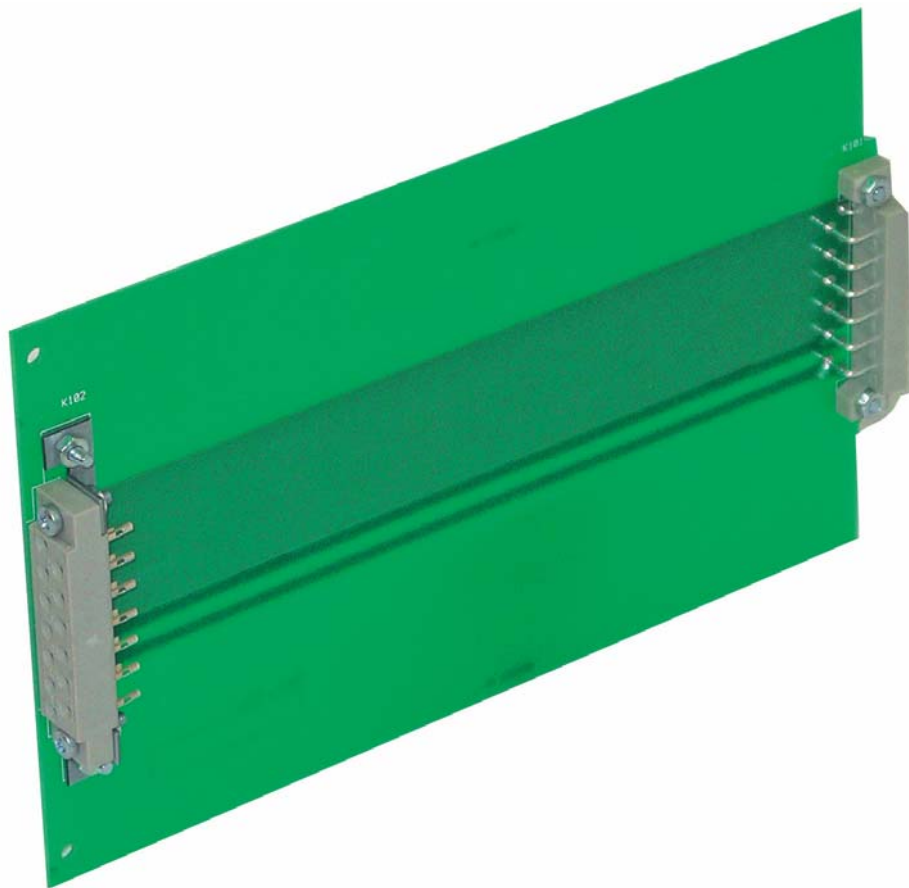


ASTEL

CCTV



TE 01

EXTENSION BOARD

OPERATING INSTRUCTIONS *v1.0*

CONTENTS

Preface	3
Features.....	3
Controls and connectors.....	3
Connections.....	4
Specifications.....	4



This unit is produced to comply with Directive 89/336/EEC.

PREFACE

The extension board TE 01 is a card needed to do all adjustments on the Video-twisted-pair receivers TRR 101 or similar devices mounted in 19"/3U rack.

FEATURES

- standard dimensions and connectors
- simple installation

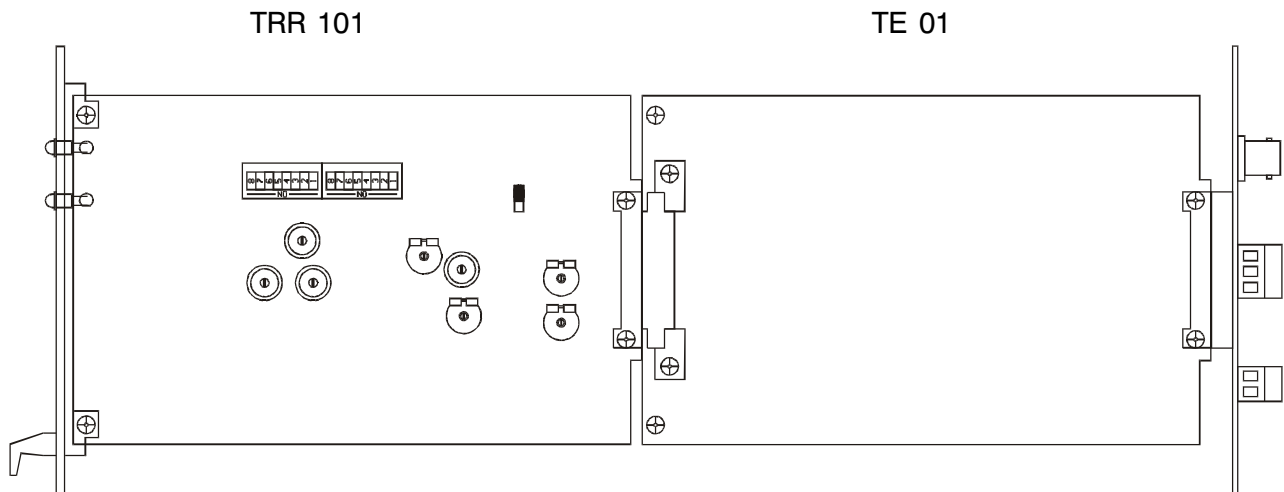
CONTROLS AND CONNECTORS



- (1) Connector 13-pin F (DIN 41617)
- (2) Connector 13-pin M (DIN 41617)

CONNECTIONS

- Be sure to switch-off the power supply unit before connecting to other equipment.
- Also refer to the instruction manual of the equipment to be connected.



SPECIFICATIONS

Connectors	:	13-pin connectors (DIN 41617)
Dimensions	:	13(W) x 100(H) x 171(D) mm