



TPS 12R

POWER SUPPLY UNIT

CONTENTS

Safety precautions.....	2
Preface	3
Features.....	3
Precautions.....	3
Controls and connectors.....	4
Connections.....	5
Specifications.....	5

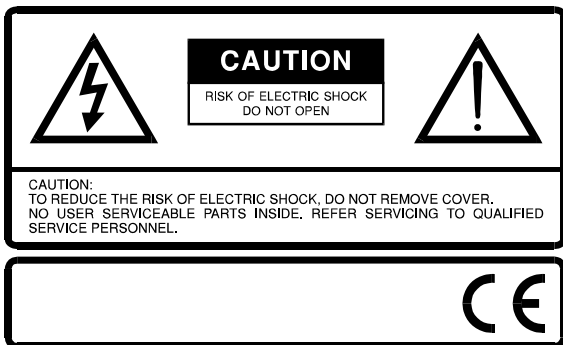
SAFETY PRECAUTIONS

In order to prevent any fatal accidents caused by misoperation or mishandling of the power supply unit, be fully aware of all the following precautions.

**WARNING:
THIS APPARATUS MUST BE EARTHED**

WARNING:
To prevent fire or shock hazard, do not expose this appliance to rain or moisture.

This unit is produced to comply with Directives 93/68/EEC (IEC Publ.65) and 89/336/EEC.



The lightning flash with arrowhead symbol, within an equilateral triangle, is intended to alert the user to the presence of uninsulated "dangerous voltage" within the product's enclosure that may be sufficient magnitude to constitute a risk of electric shock to persons.



The exclamation point within an equilateral triangle is intended to alert the user to the presence of important operating and maintenance (servicing) instruction in the literature accompanying the product.

PREFACE

The power supply unit TPS 12R is suitable to supply up to twelve video twisted-pair transmitters and receivers TTR 101, TTR 202, TRR 101E, TRR 101L, TRR 202L or similar devices.

Standard 19" rack dimensions enables TPS 12R to be used with other rack-version CCTV switchers, amplifiers, motion detectors etc.

FEATURES

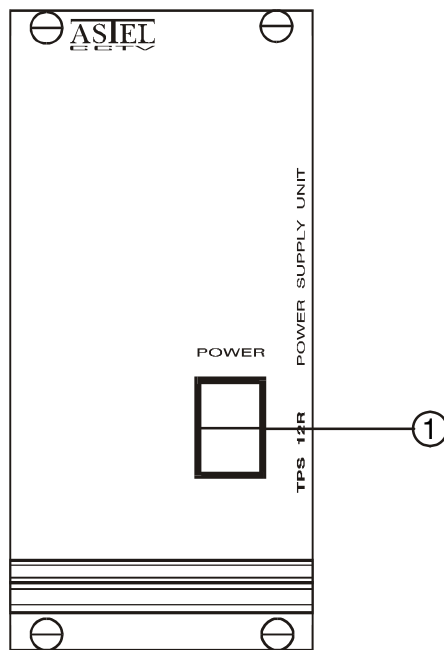
- 100 - 240VAC, 50/60Hz input
- 12VDC output
- 19" rack mountable

PRECAUTIONS

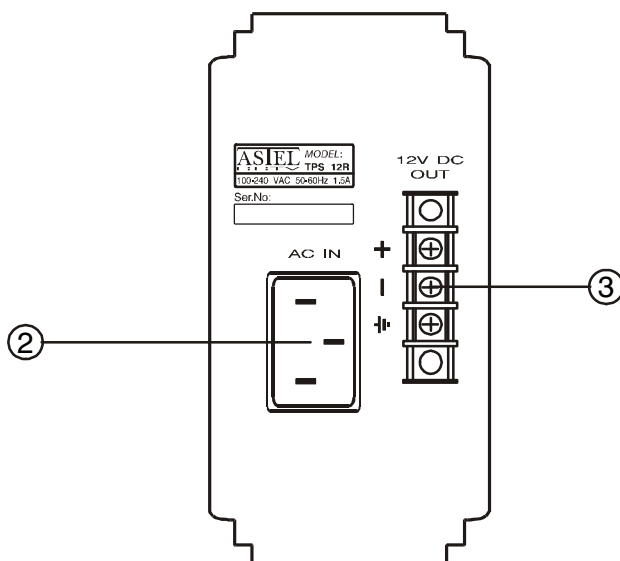
- Use only the power source specified on the rating label located on rear of the cabinet.
- When not using this unit for a long period of time, or when cleaning it, be sure to disconnect the power plug from the AC outlet.
- Do not drop metallic parts through slots. This action could permanently damage this unit. Do turn power off immediately and refer servicing to qualified service personnel.
- Avoid using this unit under the following conditions:
 - in extremely hot, cold or humid places,
 - in dusty places,
 - near appliances generating strong magnetic fields,
 - in places subject to direct sunlight, and
 - in badly ventilated places.
- Unplug this unit from the AC outlet and refer servicing to qualified service personnel under the following conditions:
 - when the power cord is frayed or plug is damaged
 - If the unit does not operate normally following the operating instructions
 - if the unit has been dropped or the cabinet has been damaged
 - when the unit exhibits a distinct change in performance.

CONTROLS AND CONNECTORS

FRONT PANEL



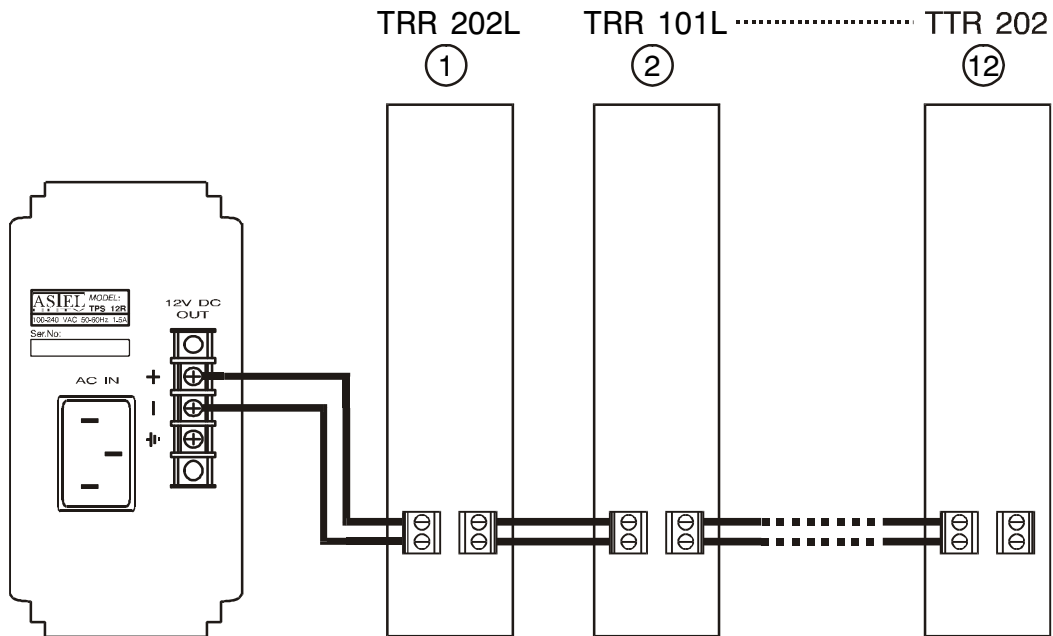
REAR PANEL



- (1) Power switch.
- (2) Power socket.
- (3) 12VDC output terminal block connector.

CONNECTIONS

- Be sure to disconnect the power plug from the AC outlet before connecting to other equipment.
- Also refer to the instruction manual of the equipment to be connected.



SPECIFICATIONS

Power supply output	12VDC
Power requirement	100 - 240VAC, 50/60Hz
Current consumption	1.5A max.
Casing	19", 3U/12TE
Weight	0.8 kg

ASTEL d.o.o., Dutovlje 138, 6221 Dutovlje, Slovenia

Tel: +386 5 7310771, +386 5 7310772

Fax: +386 5 7310789

E-mail: sales@astel-cctv.com

Web: www.astel-cctv.com