



TT 1616P

VIDEO TWISTED-PAIR TRANSMITTER

CONTENTS

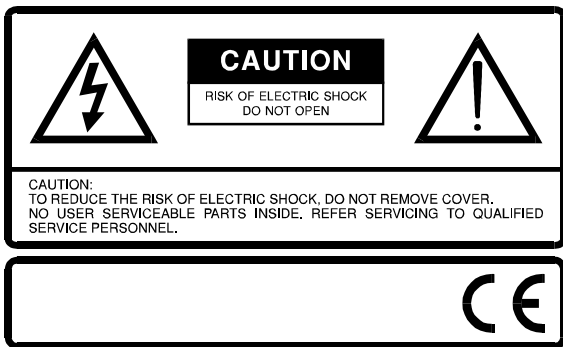
Preface	3
Features	3
Precautions	3
Controls and connectors	4
Connections	5
Installation	6
Specifications	7

SAFETY PRECAUTIONS

In order to prevent any fatal accidents caused by misoperation or mishandling of the video twisted-pair transmitter, be fully aware of all the following precautions.

**WARNING:
THIS APPARATUS MUST BE EARTHED**

This unit is produced to comply with Directives 93/68/EEC (IEC Publ.65) and 89/336/EEC.



The lightning flash with arrowhead symbol, within an equilateral triangle, is intended to alert the user to the presence of uninsulated "dangerous voltage" within the product's enclosure that may be sufficient magnitude to constitute a risk of electric shock to persons.



The exclamation point within an equilateral triangle is intended to alert the user to the presence of important operating and maintenance (servicing) instruction in the literature accompanying the product.

PREFACE

The video twisted-pair transmitter TT 1616P is a sixteen-channel correction amplifier with sixteen standard asymmetrical video inputs and sixteen symmetrical outputs which are adjusted to connect the twisted-pair cables. It is available in a rack-mountable metal casing. By the help of DIP switches the pre-emphasis adjustment is possible from the front panel.

FEATURES

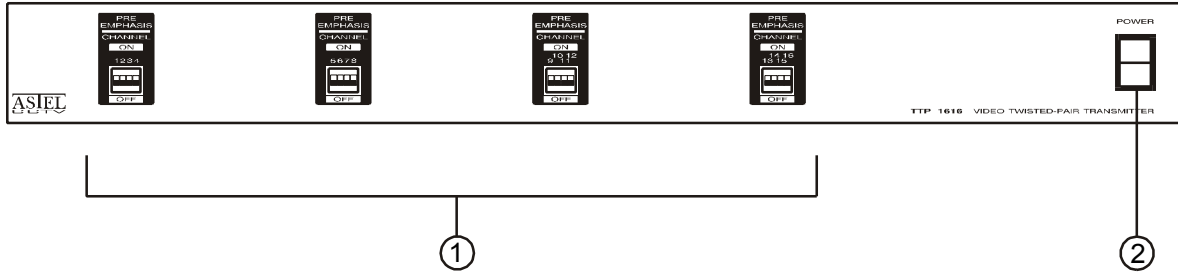
- 16 asymmetrical video inputs
- 16 symmetrical video outputs
- over-voltage protection
- pre-emphasis +10 dB / 5 MHz
- rack mountable using optional rack mount kit

PRECAUTIONS

- Use only the power source specified on the rating label located on rear of the cabinet.
- When not using this unit for a long period of time, or when cleaning it, be sure to disconnect the power plug from the AC outlet.
- Do not drop metallic parts through slots. This action could permanently damage this unit. Do turn power off immediately and refer servicing to qualified service personnel.
- Avoid using this unit under the following conditions:
 - in extremely hot, cold or humid places,
 - in dusty places,
 - near appliances generating strong magnetic fields,
 - in places subject to direct sunlight, and
 - in badly ventilated places.
- Unplug this unit from the AC outlet and refer servicing to qualified service personnel under the following conditions:
 - when the power cord is frayed or plug is damaged
 - if the unit does not operate normally following the operating instructions
 - if the unit has been dropped or the cabinet has been damaged
 - when the unit exhibits a distinct change in performance.

CONTROLS AND CONNECTORS

FRONT PANEL



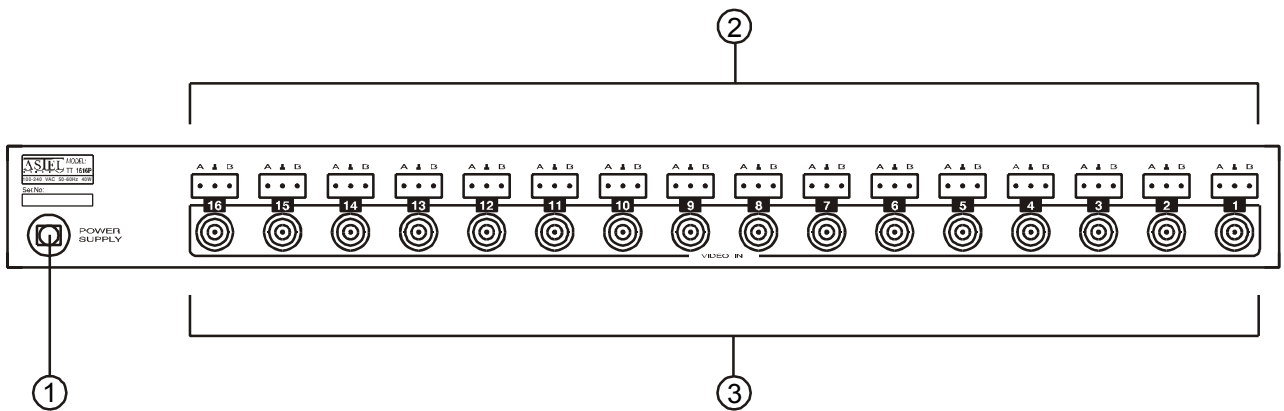
(1) PRE-EMPHASIS

DIP switches to switch on/off the pre-emphasis of the output video signals.

(2) POWER

Switch to turn the power on/off - lights in the power on position.

REAR PANEL



(1) POWER SUPPLY

Power cord.

(3) VIDEO INPUTS 1-16

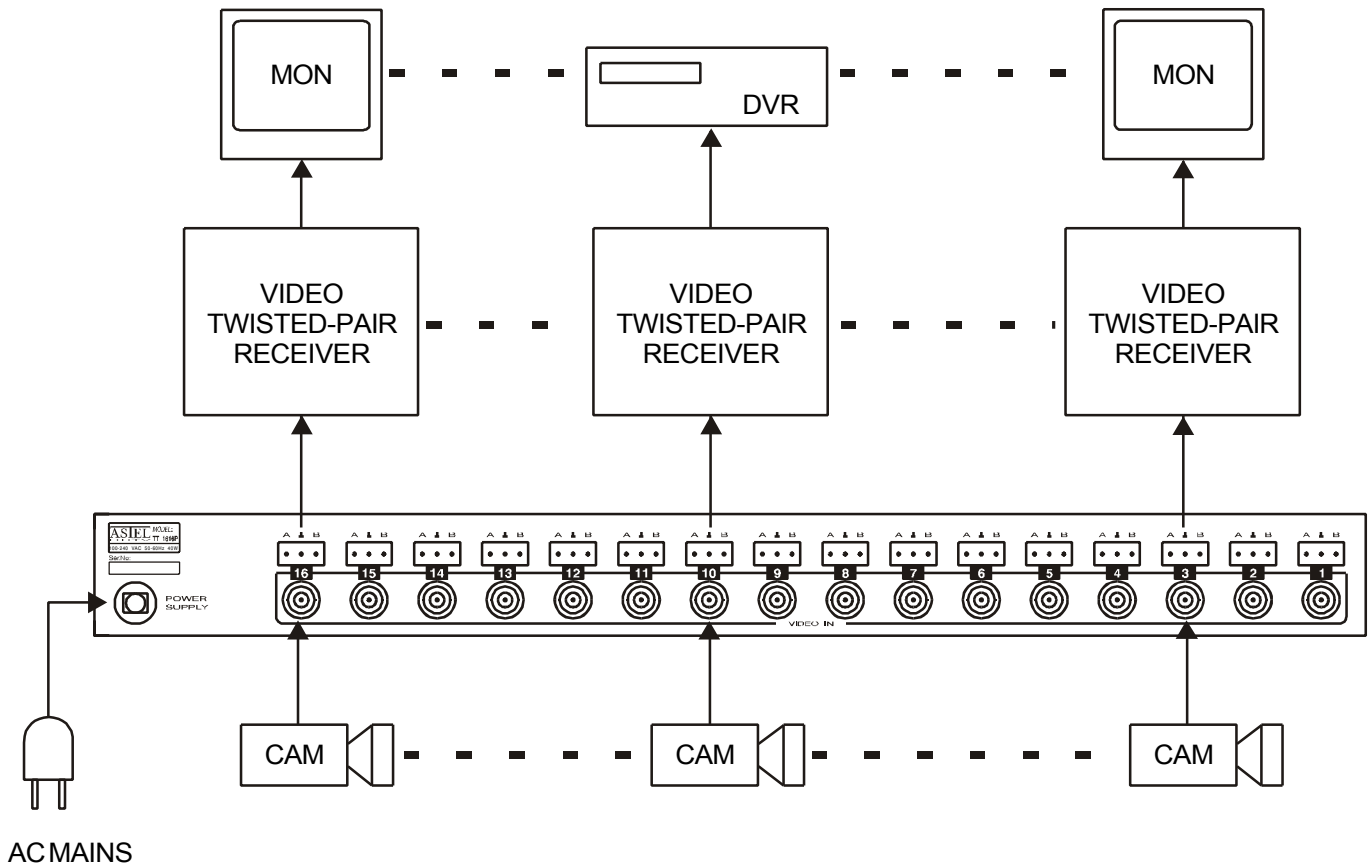
Sixteen standard BNC video input connectors.

(2) VIDEO OUTPUTS 1-16

Sixteen video output terminal block connectors to connect twisted-pair cables.

CONNECTIONS

- Be sure to switch-off the power supply unit before connecting to other equipment.
- Also refer to the instruction manual of the equipment to be connected.



INSTALLATION

The unit is suitable to use CAT 5 or other UTP (Unshielded Twisted Pair) cables, where is possible to connect one or more units and enable to pass more than one video signal through the same cable.

- (1) Connect the power plug.
- (2) Connect the video test generator (1 Vpp / 75 Ω) to the BNC video input connector.
- (3) Switch-on the unit.
- (4) Switch-on the video test generator.
- (5) Check the positive video output signal between **A** and \wedge .
- (6) Check the negative video output signal between **B** and \wedge .
- (7) Switch-off the unit.
- (8) Switch-off the video test generator.
- (9) Disconnect the video test generator.
- (10) Connect the twisted-pair cable to the video output terminal block connector.
- (11) Connect the video source (video camera) to the BNC video input connector.

Maximum distances (CAT 5 UTP Cable) between different models of video twisted-pair transmitters and receivers:

Model	TT 101	TT 101S	TTP 101	TTR 101	TTR 202	TTM 101	TTM 101C
TR 101	1600	1600	1800	1600	1600	1800	1800
TR 101L	1500	1500	1500	1500	1500	1500	1500
TR 101LS	1500	1500	1500	1500	1500	1500	1500
TRP 101	1600	1600	1800	1600	1600	1800	1800
TRP 101L	1500	1500	1500	1500	1500	1500	1500
TR 404L	1500	1500	1500	1500	1500	1500	1500
TR 404LP	1500	1500	1500	1500	1500	1500	1500
TR 808L	1500	1500	1500	1500	1500	1500	1500
TR 808LP	1500	1500	1500	1500	1500	1500	1500
TR 1616L	1500	1500	1500	1500	1500	1500	1500
TR 1616LP	1500	1500	1500	1500	1500	1500	1500
TRR 101	1600	1600	1800	1600	1600	1800	1800
TRR 101L	1500	1500	1500	1500	1500	1500	1500
TRR 202L	1500	1500	1500	1500	1500	1500	1500
TRM 101	850	850	900	850	850	900	900
TRM 101C	850	850	900	850	850	900	900

Model	TT 404	TT 404P	TT 808	TT 808P	TT 1616	TT 1616P
TR 101	1600	1600	1600	1600	1600	1600
TR 101L	1500	1500	1500	1500	1500	1500
TR 101LS	1500	1500	1500	1500	1500	1500
TRP 101	1600	1600	1600	1600	1600	1600
TRP 101L	1500	1500	1500	1500	1500	1500
TR 404L	1500	1500	1500	1500	1500	1500
TR 404LP	1500	1500	1500	1500	1500	1500
TR 808L	1500	1500	1500	1500	1500	1500
TR 808LP	1500	1500	1500	1500	1500	1500
TR 1616L	1500	1500	1500	1500	1500	1500
TR 1616LP	1500	1500	1500	1500	1500	1500
TRR 101	1600	1600	1600	1600	1600	1600
TRR 101L	1500	1500	1500	1500	1500	1500
TRR 202L	1500	1500	1500	1500	1500	1500
TRM 101	850	850	850	850	850	850
TRM 101C	850	850	850	850	850	850

The maximum distance can also be increased by using the cable with lower cable attenuation – like PE cable (A-2Y (L) 2Y)

SPECIFICATIONS

Video input	:	16, 1Vpp, 75 Ω , BNC
Video output	:	16, 2 x 2 Vpp, terminal block
Output impedance	:	125 Ω
Freq. response	:	30 Hz - 5 MHz (-0.5 dB)
Pre-emphasis	:	+10 dB, 5 MHz (DIP-switch)
Power requirement	:	100-240VAC, 50-60Hz
Power consumption	:	30W max.
Dimensions	:	432(W) x 44(H) x 240(D) mm
Weight	:	3.5 kg

ASTEL d.o.o., Dutovlje 138, 6221 Dutovlje, Slovenia
Tel: +386 5 7310771, +386 5 7310772
Fax: +386 5 7310789
E-mail: sales@astel-cctv.com
Web: www.astel-cctv.com